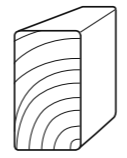
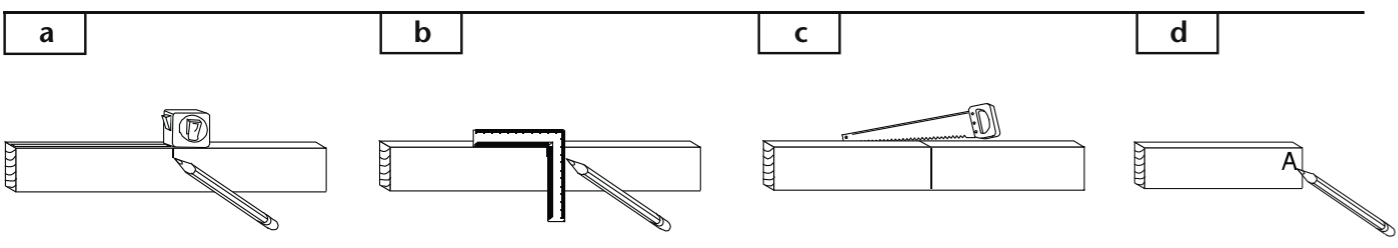
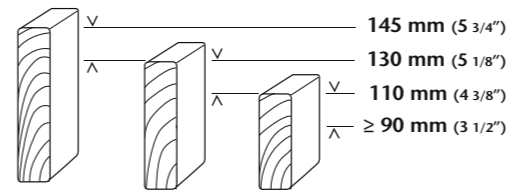
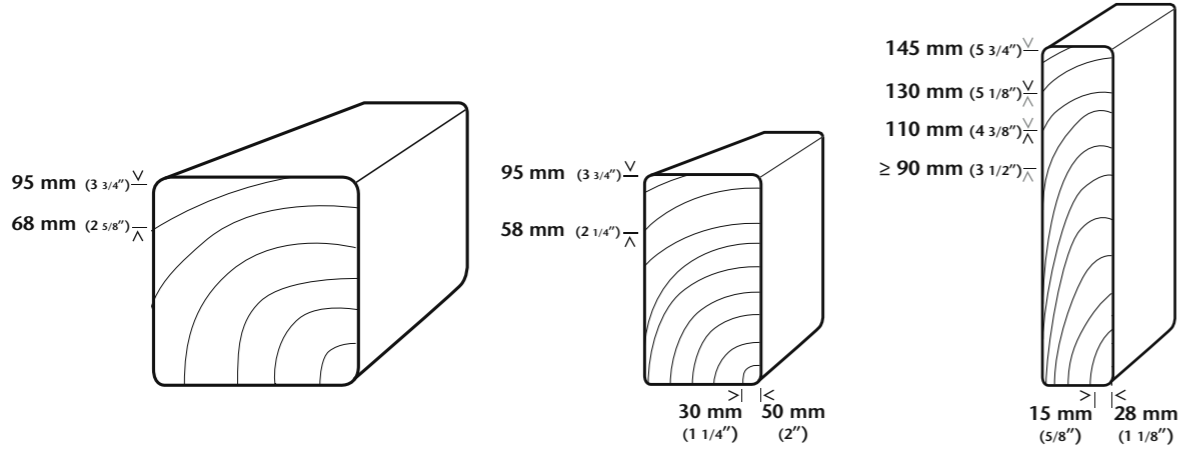


2 x	A =	270 cm	(106 1/4")
2 x	B =	205 cm	(80 3/4")
2 x	C =	125 cm	(49 1/4")



4 x	D =	160 cm	(63")
2 x	E =	150 cm	(59")
3 x	F =	140 cm	(55 1/8")
4 x	G ≤	144 cm	(56 5/8")
4 x	H =	114 cm	(44 7/8")
2 x	I ≤	75 cm	(29 1/2")
1 x	O ≤	25 cm	(9 7/8")



4 x	4 x	4 x	J =	160 cm	(63")
15 x	16 x	19 x	K =	140 cm	(55 1/8")
18 x	22 x	26 x	L =	120 cm	(47 1/4")
26 x	29 x	34 x	M =	60 cm	(23 5/8")
4 x	4 x	4 x	N =	50 cm	(19 5/8")