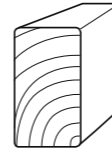
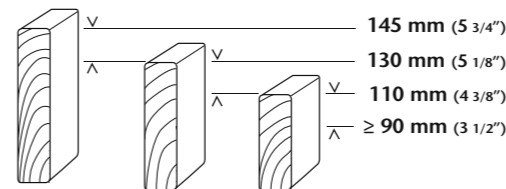
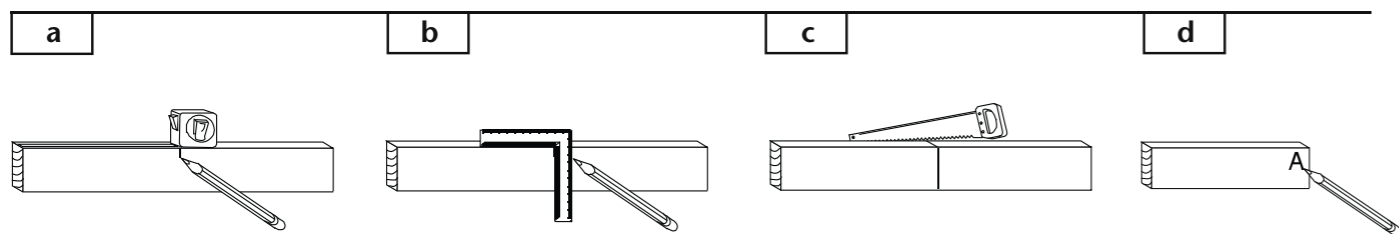
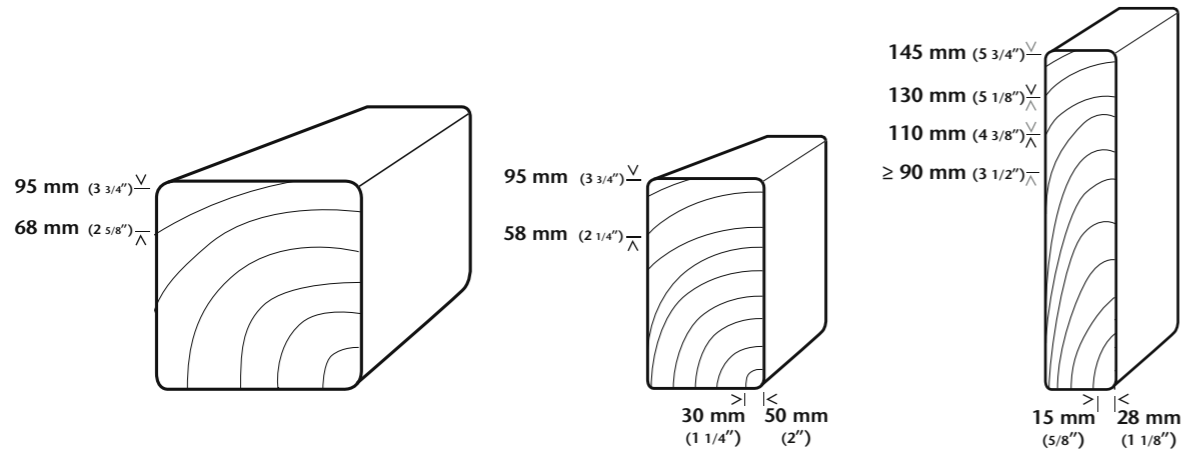


4 x	A =	300 cm	(118 1/8")
3 x	B =	270 cm	(106 1/4")
1 x	C ≤	78 cm	(30 3/4")



1 x	D =	180 cm	(70 7/8")
5 x	E =	150 cm	(59")
1 x	F =	140 cm	(55 1/8")
2 x	H =	120 cm	(47 1/4")
2 x	I =	112 cm	(44")
4 x	J ≤	109 cm	(43")
2 x	K ≤	69 cm	(27 1/8")
3 x	L =	80 cm	(31 1/2")
2 x	M ≤	92 cm	(36 1/4")
2 x	N =	86 cm	(33 7/8")
2 x	O ≤	63 cm	(24 3/4")
2 x	P =	57 cm	(22 1/2")



2 x	2 x	2 x	Q =	180 cm	(70 7/8")
19 x	21 x	24 x	R =	150 cm	(59")
20 x	22 x	28 x	S =	120 cm	(47 1/4")
2 x	2 x	2 x	T ≤	109 cm	(43")
6 x	6 x	7 x	U =	96 cm	(37 3/4")
5 x	6 x	7 x	V ≤	86 cm	(33 7/8")
2 x	2 x	2 x	W =	80 cm	(31 1/2")
26 x	28 x	32 x	X =	65 cm	(25 1/2")
2 x	2 x	2 x	Y =	50 cm	(19 5/8")