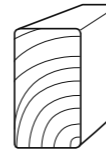
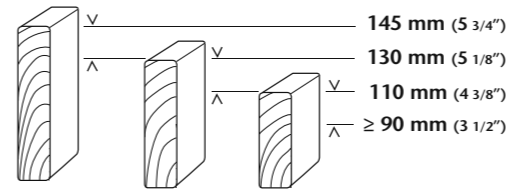
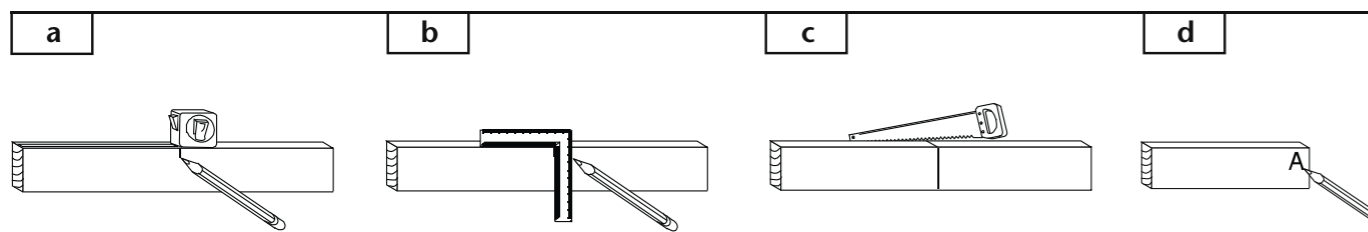
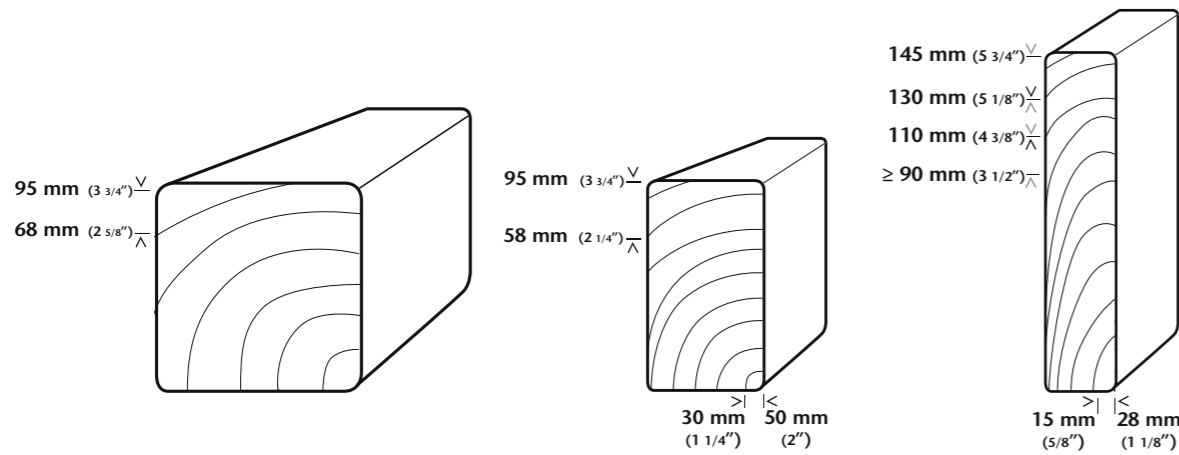


- 4 x | A = 270 cm (106 1/4")
- 2 x | B = 170 cm (67")



- 2 x | C = 270 cm (106 1/4")
- 1 x | D = 215 cm (84 5/8")
- 3 x | E = 200 cm (78 3/4")
- 7 x | F = 160 cm (63")
- 4 x | G = 150 cm (59")
- 2 x | H ≤ 144 cm (56 5/8")
- 2 x | I = 135 cm (53 1/8")
- 1 x | J ≤ 86 cm (33 7/8")



- 1 x | 1 x | 1 x | K = 215 cm (84 5/8")
- 1 x | 1 x | 1 x | L = 195 cm (76 3/4")
- 2 x | 2 x | 2 x | M = 160 cm (63")
- 15 x | 16 x | 19 x | N = 140 cm (55 1/8")
- 12 x | 14 x | 17 x | O = 63 cm (24 7/8")
- 16 x | 18 x | 22 x | P = 60 cm (23 5/8")